



8300

Description

20 Amp, 125 Volt, NEMA 5-20R, 2P, 3W, Wide Body Duplex Receptacle, Straight Blade, Hospital Grade, Self Grounding, , Back & Side 8 Hole Feed-Thru Wired, Nickel Plated Brass Strap, - Brown

Product Features

Color: Brown



NEMA: 5-20R



Grounding: Self Grounding

Amperage: 20 Amp

Voltage: 125 Volt

NEMA: 5-20R

Pole: 2

Wire: 3

Termination: Back & Side 8 Hole Feed-Thru

Face Material: Nylon

Body Material: Nylon

Strap Material: Nickel Plated Brass

Color: Brown

Standards and Certifications: UL/CSA

Warranty: 10 Year Limited

Features and Benefits

- Impact-resistant thermoplastic nylon cover and body
- Smooth Face does not collect dirt
- Four corner latches securely fasten face
- Large triple-wipe, nickel plated brass "T" contacts for superior contact and conductivity
- Nickel-plated brass, one piece mounting strap with integral ground contact, for superior ground path
- Exclusive triple combination #10-32 nickel plated brass terminal screws, straightslot, Phillips #2, Robertson #1, for excellent torque
- Back and Side 8 Hole Feed-Thru wiring options accept #14-#10 AWG stranded or solid wire
- Apron barrier to prevent accidental contact between terminal screw heads and metal box
- Exclusive V-shaped, serrated back-wiring clamps for superior contact and conductivity
- Convenient break-off fins for easy two-circuit conversion
- Backed by a limited 10 Year Warranty
- UL Listed 498HG, UL Fed Spec WC-596, CSAC22.2 No. 42

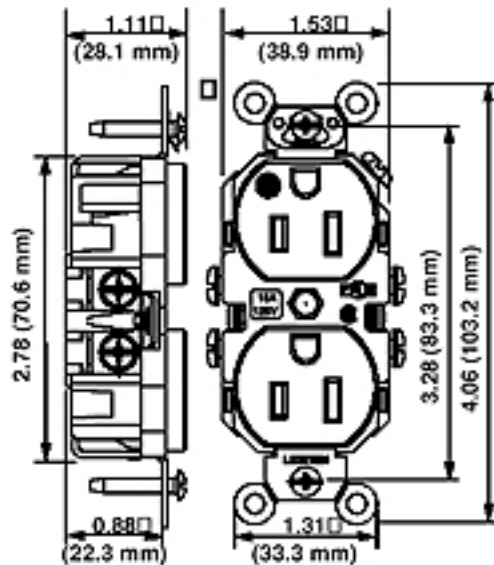
AC Horsepower Ratings	
Horsepower Rating	1 HP
Environmental Specifications	
Flammability	Rated V-2 per UL94
Operating Temperature	-40C to 60C
Mechanical Specifications	
Terminal ID	Brass-Hot, Green-Ground, White-Neutral
Terminal Accom.	14-10 AWG
Product ID	Ratings are permanently marked on device

Electrical Specifications	
Dielectric Voltage	Withstands 2000V per UL498
Current Limiting	Full Rated Current
Temperature Rise	Max 30C after 250 cycles OL at 200 percent rated current

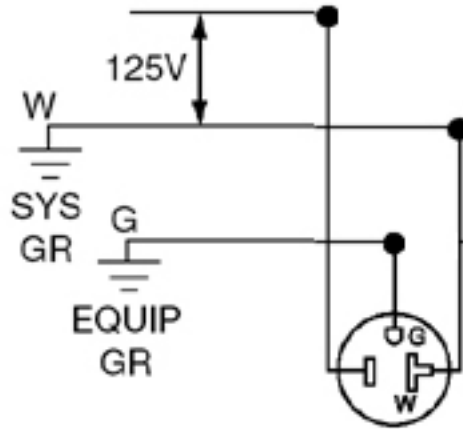
Material Specifications	
Face Material	Nylon
Body Material	Nylon
Line Contacts	Nickel-Plated Brass Triple-Wipe .031 Thick
Terminal Screws	Nickel-Plated Brass 10-32
Grounding Screw	Nickel-Plated Brass 8-32
Yoke	Nickel-Plated Brass
Clamp Nuts	Nickel-Plated Brass
Ground Clips	Nickel-Plated Brass

Standards and Certifications	
NEMA	WD-6
ANSI	C-73
UL498HG	File E13399
UL Fed Spec WC-596	File E13399
CSA C22.2 No. 42	File 152105
NOM	057

Dimensional Diagram



Wiring Diagram



5-20R

SPECIFICATION SUBMITTAL

JOB NAME: <input type="text"/>	CATALOG NUMBERS: <input type="text"/>	<input type="text"/>
JOB NUMBER: <input type="text"/>	<input type="text"/>	<input type="text"/>

Leviton Manufacturing Co., Inc.

59-25 Little Neck Parkway, Little Neck, NY 11362-2591

Telephone: 1-800-323-8920 · FAX: 1-800-832-9538 · Tech Line (8:30AM-7:30PM E.S.T. Monday-Friday): 1-800-824-3005

Leviton Manufacturing of Canada, Ltd.

165 Hymus Boulevard, Pointe Claire, Quebec H9R 1E9 · Telephone: 1-800-469-7890 · FAX: 1-800-824-3005

Leviton S. de R.L. de C.V.

Lago Tana 43, Mexico DF, Mexico CP 11290 · Tel.: (+52)55-5082-1040 · FAX: (+52)5386-1797 · www.leviton.com.mx



Visit our Website at: www.leviton.com

©2007 Leviton Manufacturing Co., Inc. All rights reserved. Subject to change without notice.